

Travel Shoe Bag and Cosmetic Case

Projects designed by Adrienne Franklin

Travel Shoe Bag

Pattern Level: Easy

Finished Size: 10" x 16"

Seam Allowances: 1/4" used throughout and has been added unless otherwise indicated.

Press carefully step-by-step.

Materials Needed:

3/8 yard 20427 S Ruby Slippers - Bag

3/8 yard 20426 R Red Wands - Lining

1 yard cording for drawstring, matching thread



Cutting and Assembly

Note: this bag is sized for a medium size pair of women's shoes- if your shoes are extra large or small you may wish to measure around them and adjust these measurements accordingly.

1. Cut 1 piece each 10 1/2" x 34" from the outer fabric and the lining fabric. Fold outer bag in half crosswise with right sides facing. The fold will be the bottom of the bag. Sew both sides of bag leaving a 1/2" opening for the drawstring, 1/2" from the top of the bag on one side as shown in **Figure 1**.

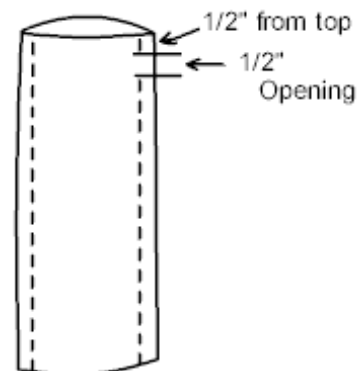


Fig. 1

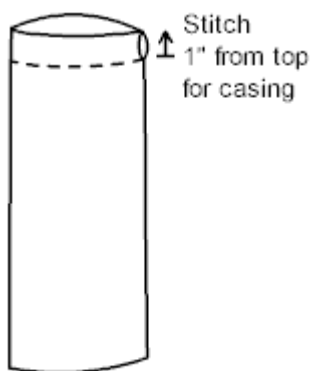


Fig. 2

2. Fold bag lining in half crosswise right side facing, the fold is also the bottom. Sew both sides of lining leaving an opening in one side for turning. Insert outer bag into lining, right sides facing and stitch lining to outer bag around top edges. Turn right side out through opening in lining. Stitch opening in lining closed. Topstitch 1" from upper edge of bag to form casing for drawstring as shown in **Figure 2**. Insert drawstring. Bag is complete.

Travel Cosmetic Case

Pattern Level: Easy - some sewing experience helpful

Finished Size: 10" x 14"

Seam Allowances: 1/4" used throughout and has been added unless otherwise indicated. Press carefully step-by-step.

Materials needed:

3/8 yard 20426 R Red Wands - Case

3/8 yard 20427 S Ruby Slippers - Lining

3/8-yard polyester fleece

2 - 9" matching zippers, 1 package extra wide double fold bias tape, matching thread,

Optional - iron-on vinyl for water proof lining

Cutting and Assembly

1. Cut from the following - outer fabric, lining and batting - 1 piece 10 1/2" x 28" each. With outer bag right side up, pin 1 zipper to each of the 10 1/2" sides with zipper facing down and zipper tape edge even with raw edge of fabric See Figure 1.



Fig. 1

2. Baste zipper tape using a zipper foot on one side only as shown. Remaining side should be free. If using iron-on vinyl, follow manufacturer's instructions and fuse to the right side of the lining fabric.

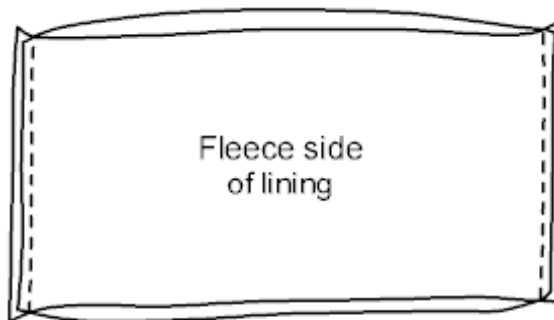


Fig. 2

3. Pin and baste fleece to the wrong side of bag lining. Referring to Figure 2, sew lining to outer bag right sides facing, through all layers, only stitching along short ends and leaving remaining sides open. Turn right side out through side openings and fold so zipper tapes overlap about 1/4" in the center of the bag. See Figure 3.

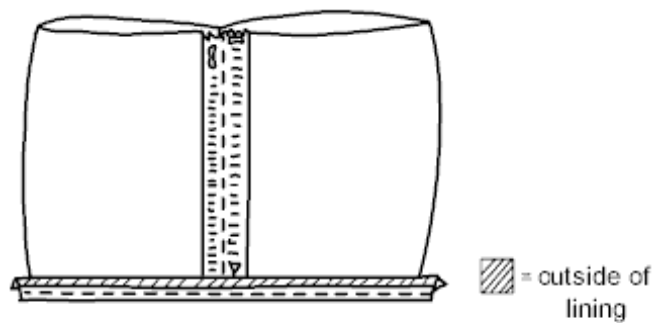


Fig. 3

4. Sew down center of the bag through overlapping zipper tapes and all bag layers. To apply bias tape to sides - cut 2 pieces of bias tape the measurement of the side of the bag plus 1". Open bias tape up and sew one piece to each side pinning bias in place with raw edges aligned and a 1/2" extra on each end to tuck in. See Figure 3. Stitch. Flip bias to back side of bag and slipstitch by hand tucking in raw edges on each end. Bag is complete.

While all possible care has been taken to ensure the accuracy of this pattern, we are not responsible for printing errors or the way in which individual work varies.